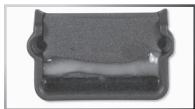
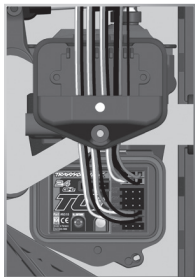




Receiver Box Seal Kit Instructions



Removing the Receiver

1. Remove the wire clamp by removing the two 2.5x8mm cap screws.
2. To remove the cover, remove the 3x10mm button-head cap screw.
3. Unplug the servo cables from the receiver and remove the receiver.

Receiver Installation

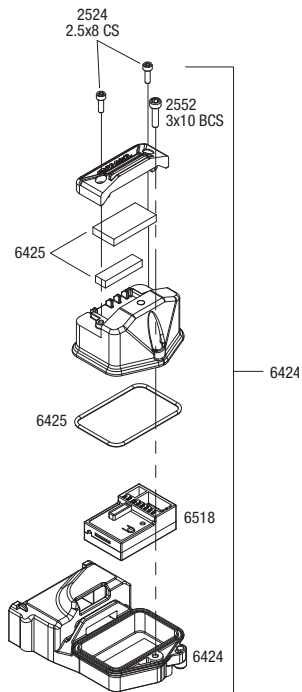
1. Thread the servo wires and antenna through the cover.
2. Install the receiver into the box with double sided foam tape.
3. Install the cover onto the box making sure the O-ring is properly seated into the groove in the receiver box so that the cover will not pinch it or damage it in any way.
4. Install the cover and tighten the 3x10mm button-head cap screw securely.
5. Push the extra servo wires into the box.
6. Install the wire clamp and secure with 2.5x8mm cap screws.

If you have questions or need technical assistance, call Traxxas at

1-888-TRAXXAS

(1-888-872-9927) (U.S. residents only)

Covers Parts #6424, #6425



WWW.TRAXXAS.COM

Traxxas, 1100 Klein Road, Plano, TX 75074, Phone: 972-265-8000, Fax: 972-265-8011, e-mail: support@Traxxas.com

KC1485 Rev 000 120124